

»FUTURA« series

Filter regulators with excellent flow rates in modern design.  
The regulator knob can be latched and locked.

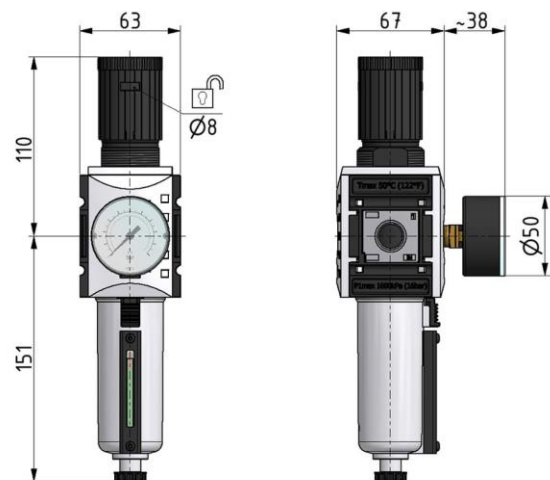
Input pressure	1.5 - 16 bar
Temperature range	-10 °C to 50 °C
Medium	Compressed air, neutral gases
Housing	PA66 GF60
Connecting thread	Material: Die-cast zinc
Filter element	Cellpor (PE)
Filter rating	5 µm
Sealant	NBR
Diaphragms	NBR
Flow rate measurement	At P <sub>1</sub> = 10 bar, P <sub>2</sub> = 6.3 bar and pressure drop Δp = 1 bar

### Filter regulator with metal bowl, sight glass and pressure gauge

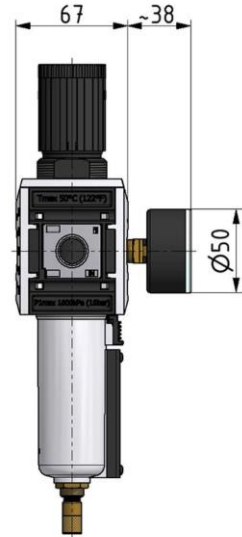
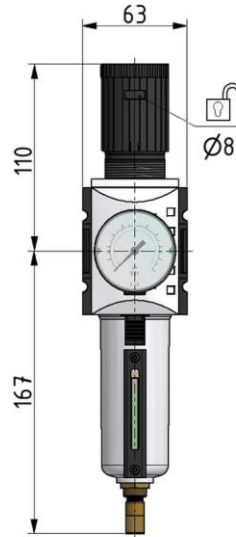
Art. No.	Type No.	Thread	Size	Control range bar	Pressure gauge display bar	Flow rate l/min	Condensate drain
139484	FU 813-M-1	G 3/8	2	0.1 - 1	0 - 1.6	4500	Semi-automatic
139485	FU 813-M-2	G 3/8	2	0.1 - 2	0 - 2.5	4500	Semi-automatic
139486	FU 813-M-4	G 3/8	2	0.2 - 4	0 - 6	4500	Semi-automatic
139487	FU 813-M	G 3/8	2	0.5 - 8	0 - 10	4500	Semi-automatic
139488	FU 813-M-10	G 3/8	2	0.5 - 10	0 - 16	4500	Semi-automatic
139489	FU 813-M-16	G 3/8	2	0.5 - 16	0 - 25	4500	Semi-automatic
151850	FU 823-M-1	G 3/8	2	0.1 - 1	0 - 1.6	4500	Fully-automatic
151851	FU 823-M-2	G 3/8	2	0.1 - 2	0 - 2.5	4500	Fully-automatic
151852	FU 823-M-4	G 3/8	2	0.2 - 4	0 - 6	4500	Fully-automatic
151853	FU 823-M	G 3/8	2	0.5 - 8	0 - 10	4500	Fully-automatic
151854	FU 823-M-10	G 3/8	2	0.5 - 10	0 - 16	4500	Fully-automatic
151855	FU 823-M-16	G 3/8	2	0.5 - 16	0 - 25	4500	Fully-automatic

**Accessories / spare parts**

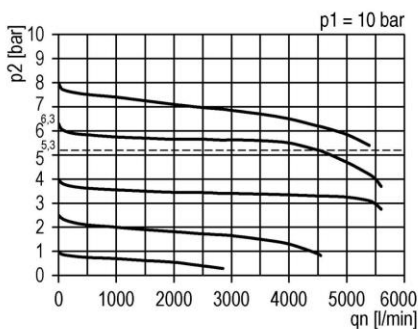
Art. No.	Type No.	Description
100043	H 852	Mounting bracket, incl. 2 screws
100044	WK 102	Wall bracket, incl. 2 screws
100045	KP 200	Joiner set, incl. 2 screws
100135	BSF 12	Polycarbonate bowl, incl. bowl guard
100136	MF 12	Metal bowl, incl. sight glass
100137	BSF 12-A	Polycarbonate bowl with automatic drain valve
100138	MF 12-A	Metal bowl, incl. sight glass, with automatic drain valve
100046	FU 33-55	Panel nut M42x1.5
100037	SS 32	Key lock
100331	WK 102-38	Wall bracket with connection thread G 3/8
100332	WK 102-12	Wall bracket with connection thread G 1/2
100333	WK 102-34	Wall bracket with connection thread G 3/4
152946	H 853	Mounting bracket with control panel nut M42x1.5
100139	844.6.905	Filter element 5 µm, Cellpor
100047	22.7180.4	Seal kit for pressure regulator
100362	655.6.900	Automatic drain valve

**Semi-automatic:**


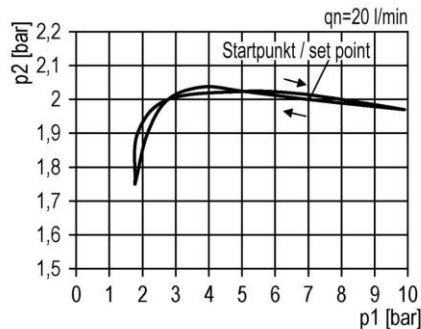
## Fully-automatic:



flow characteristic



pressure characteristic



symbol

